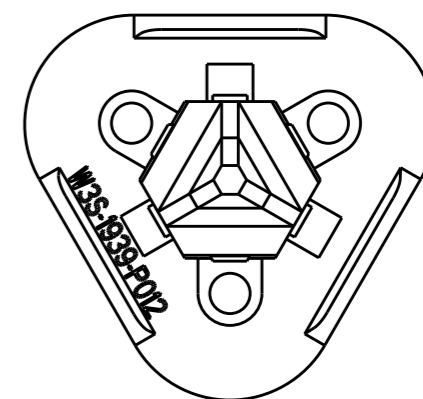
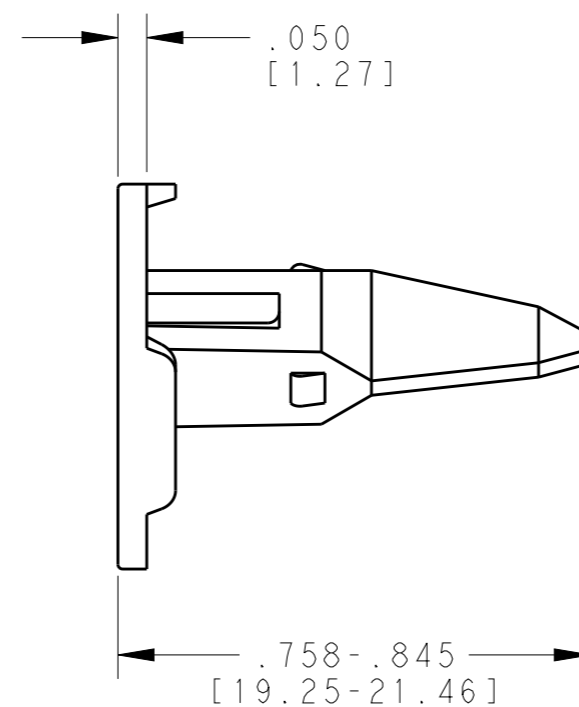
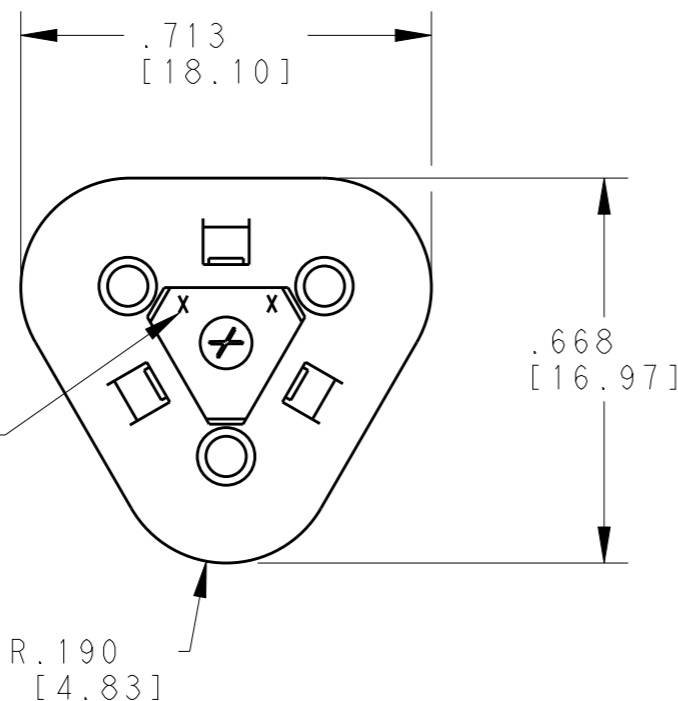
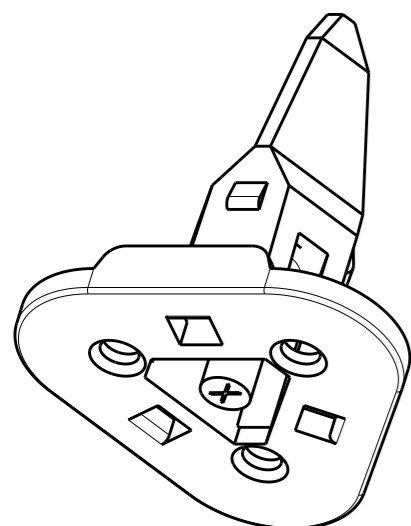


THIS DRAWING IS UNPUBLISHED  
 RELEASED FOR PUBLICATION 2016  
 © COPYRIGHT 1999 BY TE CONNECTIVITY ALL RIGHTS RESERVED.

LOC		DIST		REVISIONS			
P	LTR	DESCRIPTION		DATE	DWN	APVD	
	NC	NEW RELEASE PER E.O. P15955		11MAR1999	ST	RDR	
	A	REVISED PER ECO-16-005273		05APR2016	JA	DM	



TE INTERNAL PN	DEUTSCH PN
W3S-1939-P012	W3S-1939-P012

2 MATERIAL: PBT GF30 (BLUE)

1. THIS WEDGE MAY BE USED WITH DT06-3S PLUG WITH SEAL RETENTION MODIFICATION. CONSULT FACTORY FOR MODIFICATION AND APPLICATION.

NOTES:

THIS DRAWING IS A CONTROLLED DOCUMENT.		DWN	S. THEIS	05MAR1999	TE Connectivity		
DIMENSIONS: INCHES [mm]		CHK	S. BEARD	10MAR1999			
		TOLERANCES UNLESS OTHERWISE SPECIFIED:		APVD	R. REED	11MAR1999	NAME WEDGE LOCK 1939 -P012 MOD FOR 3 WAY PLUG COLOR: BLUE DT SERIES
		0 PLC ± 1 PLC ± 2 PLC ± 3 PLC ±.025 [0.64] 4 PLC ± ANGLES ±		PRODUCT SPEC		108-151009	
MATERIAL		FINISH		APPLICATION SPEC		0425-017-0000	
2				WEIGHT		0.94g	
CUSTOMER DRAWING				SIZE	A3	CAGE CODE	4AFU8
				DRAWING NO	W3S-1939-P012		RESTRICTED TO
				SCALE	3:1		SHEET 1 OF 1
						REV	A